

MANUAL SureChlor S3500

Contents

Installation

Cell	2
Power pack	2
Off Peak Installation	2
Connecting the Pool Pump	2
Installation Layout	3

Operation

Chlorine Control	4
LED Chlorine Output Monitor	4
Timer	5

Maintenance

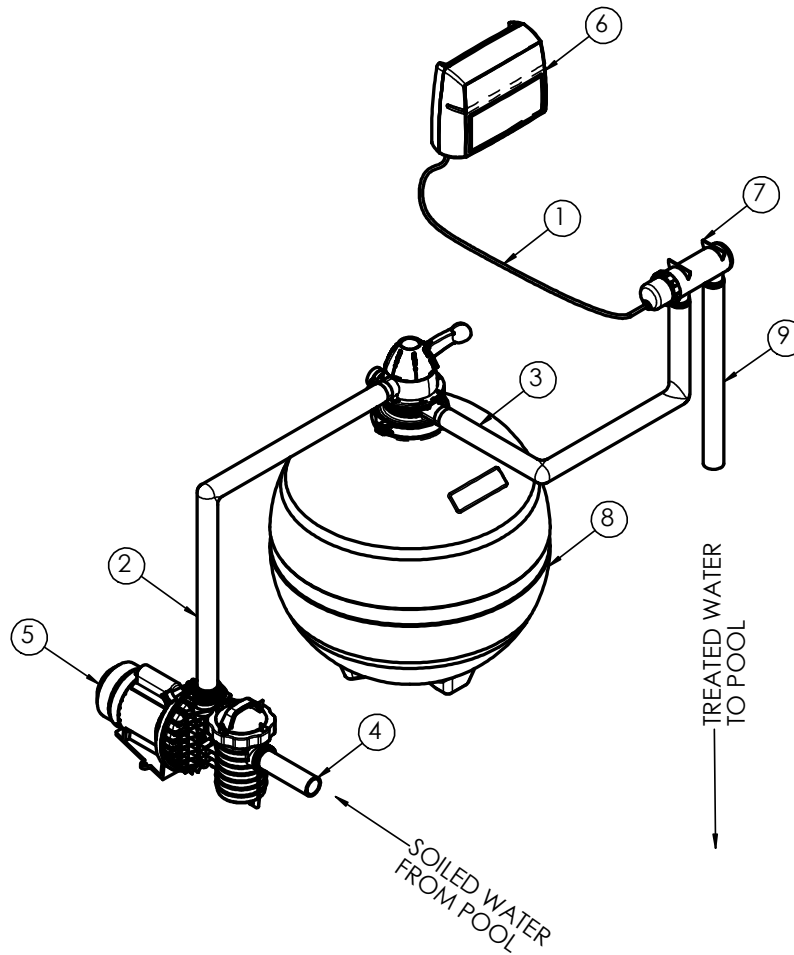
Chemical Balance	6
Maintenance Frequency	6
Cell Cleaning	6
General Warnings	6

Customer Responsibilities	7
---------------------------	---

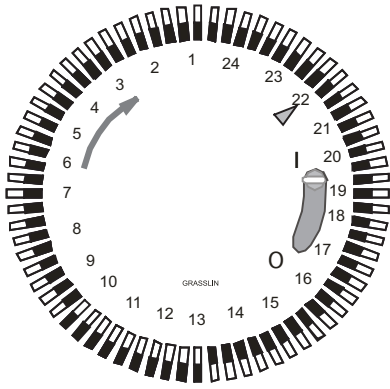
Warranty Terms and Conditions	7
-------------------------------	---

Installation Layout

ITEM NO.	PART NUMBER
1	CHLORINATOR CABLE
2	PUMP TO FILTER PIPE
3	FILTER TO CHLORINATOR PIPE
4	SKIMMER TO PUMP PIPE
5	CENTRIFUGAL PUMP
6	CHLORINATOR CONTROLLER
7	CHLORINATOR ELECTRODE CELL
8	PRESSURE FILTER
9	CHLORINATOR TO POOL PIPE

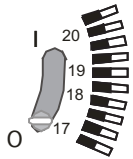


Timer

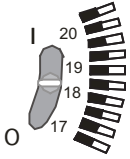


For Manual Operation

Move the slide switch on the face of the timer to the position marked "ON". The pump and chlorinator should now be operating (if the chlorine control is correctly adjusted). The chlorinator and pump will now be operating regardless of the timer pin positions.

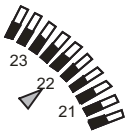


To turn the pump and chlorinator off, move the slide switch on the face of the timer to the "OFF" position. The chlorinator and pump will now be off regardless of the timer pin positions.



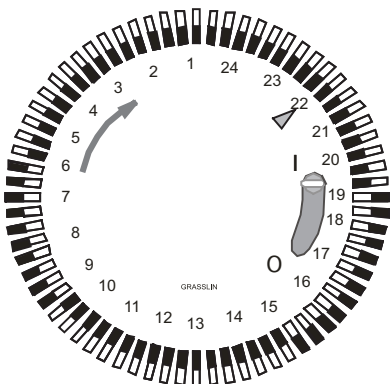
For Automatic Operation

Move the slide switch on the face of the timer to the position marked "AUTO". The pump and chlorinator should now operate when the next ON cycle is detected by the time switch (if the chlorine control is correctly adjusted)



To Set the Clock Function

Rotate the dial in a clockwise direction only to align the present time of day with the indicator arrow on the right hand side of the face of the timer, just above the slide switch. (time shown 10 pm)



Setting the START and STOP Times

Each pin is set to a 15 minute increment. Slide the pins outwards on the timer face for morning and late afternoon operation . We recomend an initial operating period of 6 - 8 hours in Summer and 2 - 4 hours in Winter. This will vary depending on the relative size of your pool, filter and chlorinator



A service charge will be made for service as a result of the adjacent points

Customer Responsibility

Your "Before You Call For Service" Checklist

Before calling for service read the instructions in this **Quick Start Guide** carefully.

The following points are your responsibility:

- Power point not turned on or faulty (check with another appliance)
- Time switch incorrectly set
- Unit incorrectly installed
- Pump not plugged into S3500 Pump Outlet Socket
- Controls incorrectly set
- Poor water chemistry (salt level, pH etc.)
- Cell not being cleaned (acid wash) properly.
- Poor water flow (check filter is clean / pump operating / skimmer free of obstructions)
- Unit being tampered with by unauthorised persons.

Warranty Terms and Conditions

Your new Surechlor S3500 chlorinator is manufactured to the highest possible standards using the most up-to-date technology. Accordingly the equipment carries the following Warranty, should a fault occur due to faulty manufacturing or materials.

Important: In the event of a fault covered by warranty occurring, the purchaser must, in the first instance, contact Poolrite Chlorinator Systems Pty. Ltd. or the closest authorised distributor. Poolrite Chlorinator Systems Pty Ltd warrant the original purchaser of the Power Pack and Electrolytic Cell for a period of 24 months from the date of purchase by the original owner, with the Cell also warranted for an additional 24 months pro-rata, should examination disclose to its satisfaction that the Electrolytic Cell or Power Pack has failed due to faulty manufacturing or materials.

The Warranty is Void if the following occurs:

- Operating the product and/or cleaning the cell other than in accordance with this **Quick Start Guide**
- Damage caused from mechanical cleaning (eg. use of a screw driver or other sharp implement)
- The safety flow detector, power terminals and/or connections have been tampered with
- Cell power terminals have been submerged in acid solution whilst cleaning
- Incorrect water chemistry (refer to **Chemical Balance Guide** under Maintenance instructions)
- Salt level below 3000 ppm or above 7000 ppm. Recommended level is 5000 ppm
- The chlorinator is installed on a pool size which is not recommended for its model
- The Power Pack has been serviced by a person other than a person authorised to do so by Poolrite or its agent
- Non-swimming pool grade salt has been used in the pool
- Metal based algaecides have been used
- Insect / vermin infestation
- Fuse is blown
- High levels of metallic ions in water
- Excessive Cleaning and/or Excessive Scaling
- Negligence and/or Acts of God



All Surechlor salt water chlorinators have been fully tested and approved by the Queensland Electrical Safety Office and have been issued with an AS/NZS 3136 Certificate of Approval.



Additionally the Power Pack is rated as complying with IPX3 as per AS1939 and as such can be legally installed within the designated Pool Zone as defined in Section 7 of AS/NZS 3000 wiring rules.

This Warranty is applicable to workmanship and materials. Poolrite Chlorinator Systems Pty Ltd will repair or replace at no charge, all parts returned freight paid, which display faulty workmanship or materials. Poolrite Chlorinator Systems Pty Ltd accepts no responsibility for loss, damage or injury to persons or property arising from Warranty failure of equipment, or installation of that equipment. Unless with the express prior authority of Poolrite Chlorinator Systems, any repair or replacement shall be provided only by Poolrite Chlorinator Systems Pty Ltd or its authorised distributors and this Warranty shall not extend to any expenditure otherwise incurred.



Manufactured by Poolrite Chlorinator Systems Pty Ltd ABN 97 165 100 854
Email: sales@poolritesystems.com Web: www.poolritesystems.com

2/629 Toohey Rd SALISBURY QLD 4105 PH +617 3114 2090 FAX +617 3277 2396

CHLORINATORS